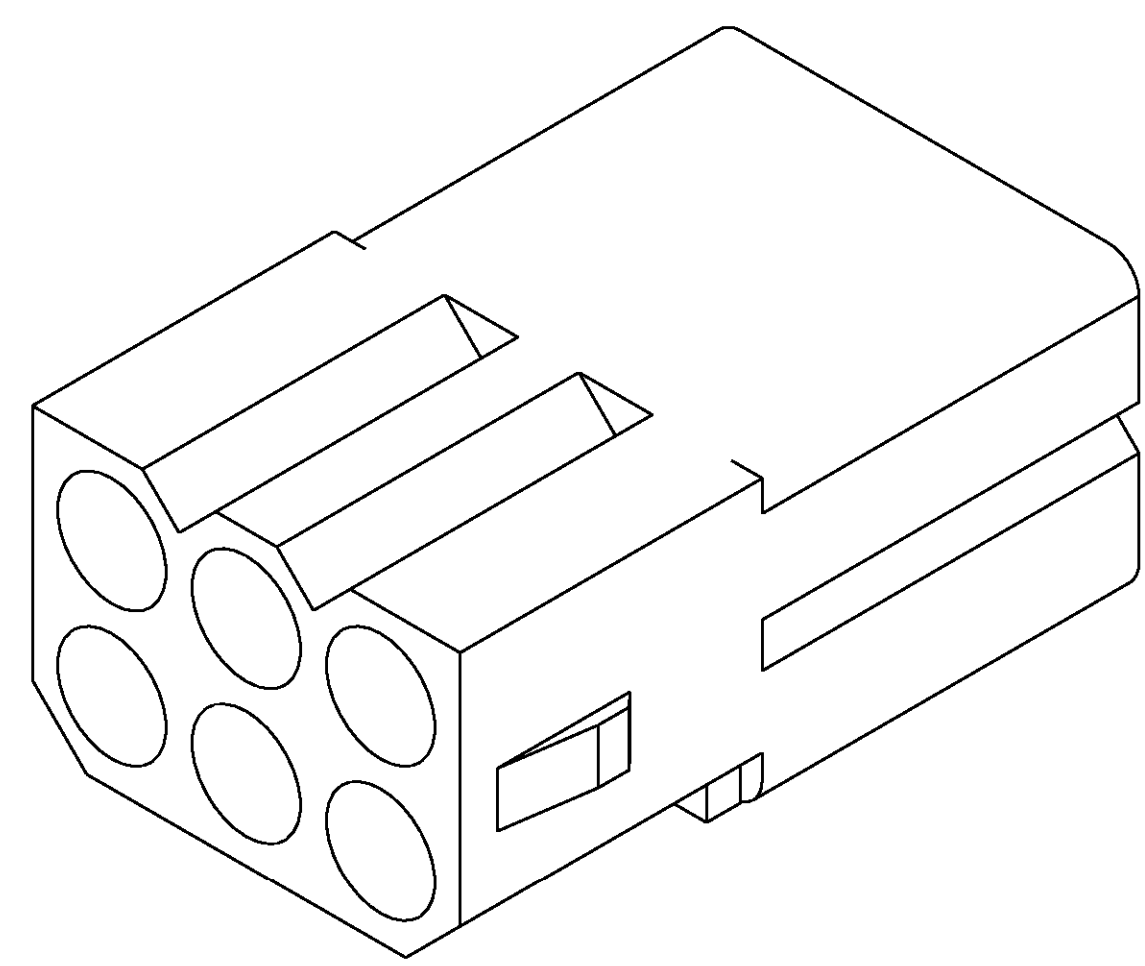
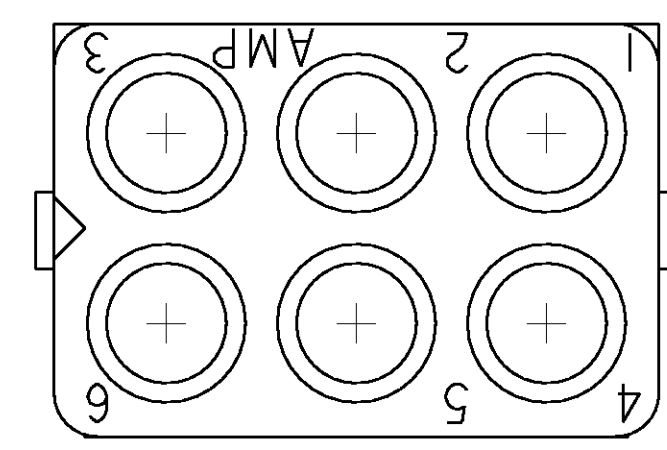
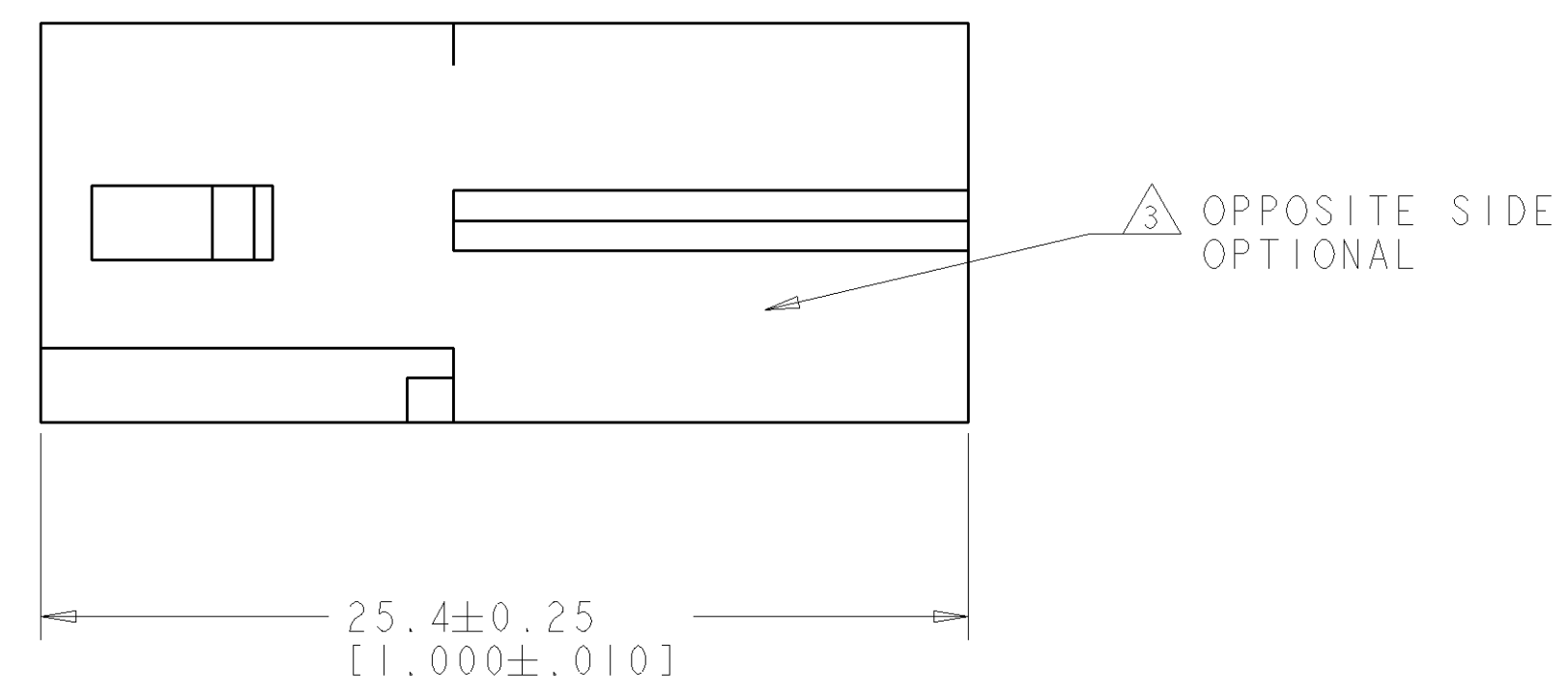
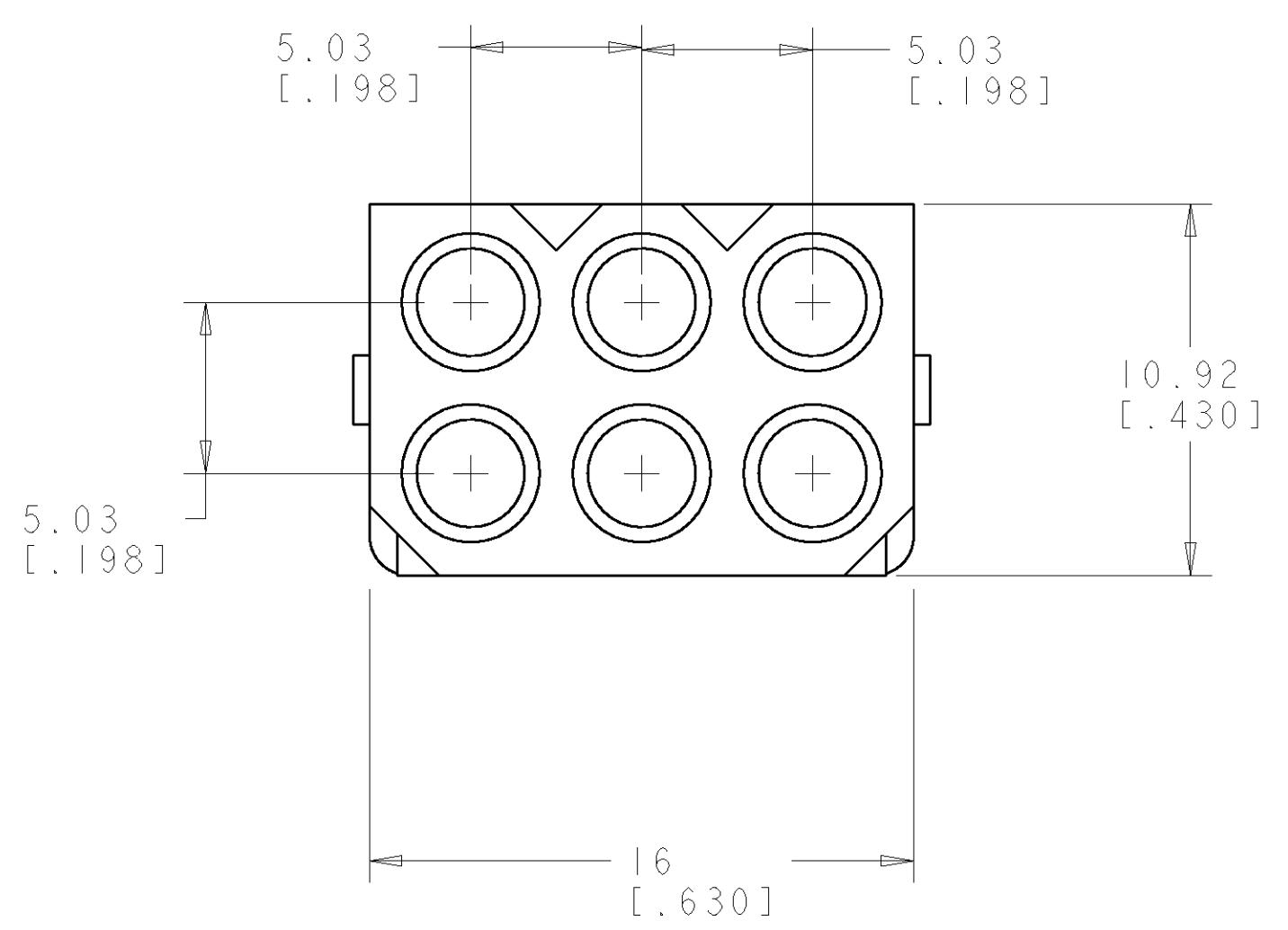


LOC	DIST	REVISIONS			
P	LTR	DESCRIPTION	DATE	DWN	APVD
E		REVISED PER 0638-0359-01	18JAN2002	KW	DC

△ MATERIAL: NYLON UL94V-2 (NATURAL).
 △ MARKING FOR UL LOGO AND CSA LOGO LOCATED APPROXIMATELY AS SHOWN.



3 DIMENSIONAL VIEW

770086-1
 PART NUMBER

METRIC

<small>THIS DRAWING IS UNPUBLISHED. RELEASED FOR PUBLICATION BY TYCO ELECTRONICS CORPORATION. ALL RIGHTS RESERVED.</small>		DWN: R. WHITAKER 18JAN2002 ENR: D. COLEY 18JAN2002 APVD: D. COLEY 18JAN2002	tyco Electronics Tyco Electronics Harrisburg, PA 17105-3608
DIMENSIONS: mm [INCHES]	TOLERANCES UNLESS OTHERWISE SPECIFIED: 0 PLC ± 1 PLC ± 2 PLC ±0.13 [.005] 3 PLC ± 4 PLC ± ANGLES ±	NAME: RECEPTACLE, 6 CIRCUIT, COMMERCIAL PIN AND SOCKET PRODUCT SPEC: APPLICATION SPEC:	SIZE: A CAGE CODE: 00779 DRAWING NO: 770086 RESTRICTED TO:
MATERIAL: △	FINISH:	WEIGHT: - CUSTOMER DRAWING	SCALE: 5:1 SHEET: 1 OF 1 REV: E